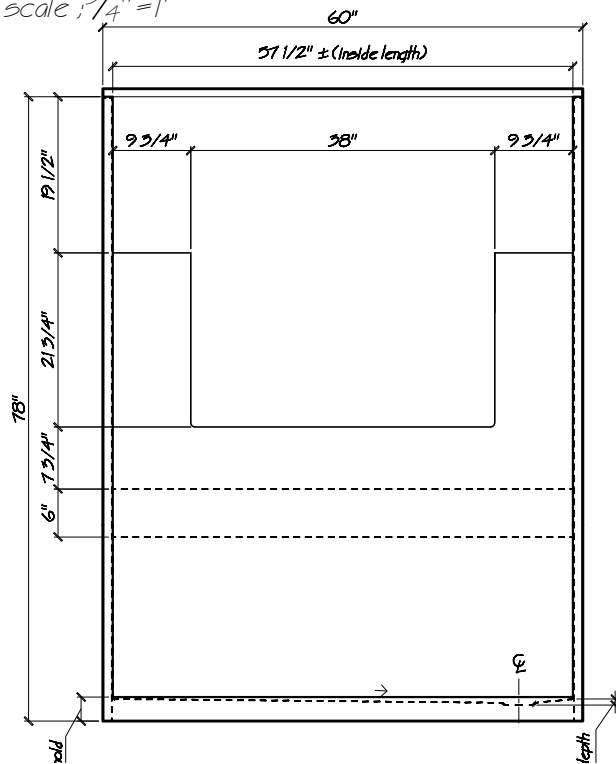
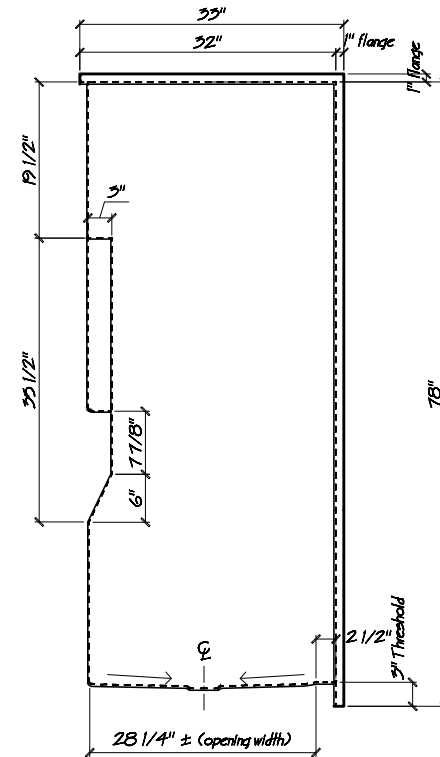


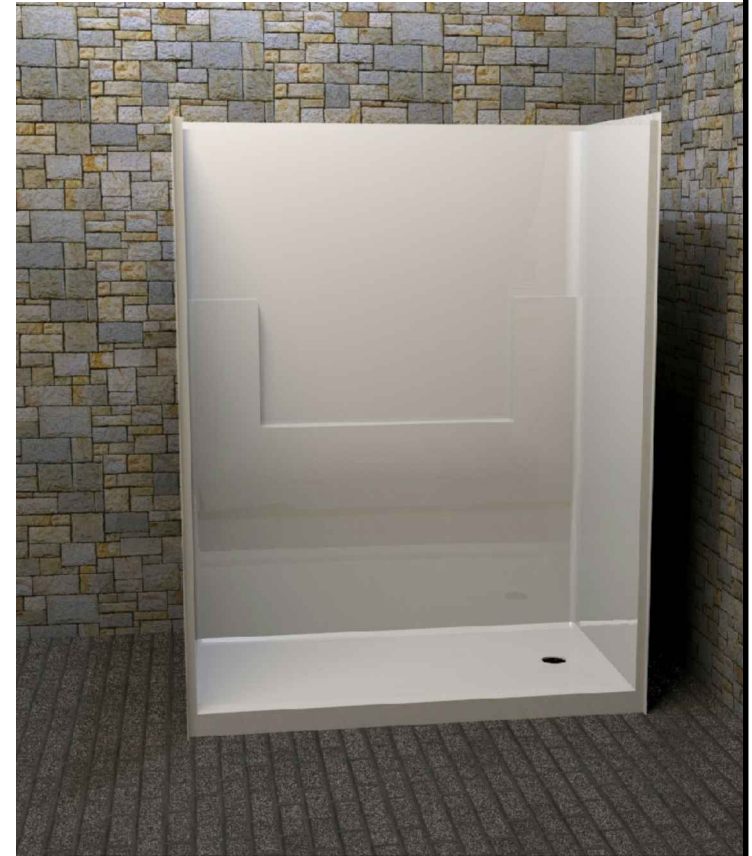
PLAN
scale: 3/4" = 1"



FRONT VIEW
scale: 1/2" = 1"



LEFT END VIEW
scale: 1/2" = 1"



Name: SS6032RHD(LT)

Date: 05-02-18

Scale: as shown

File: SS6032RHD(LT) Drawn: AAJimenez



Phone: 604-854-5757

Fax: 604-852-1850