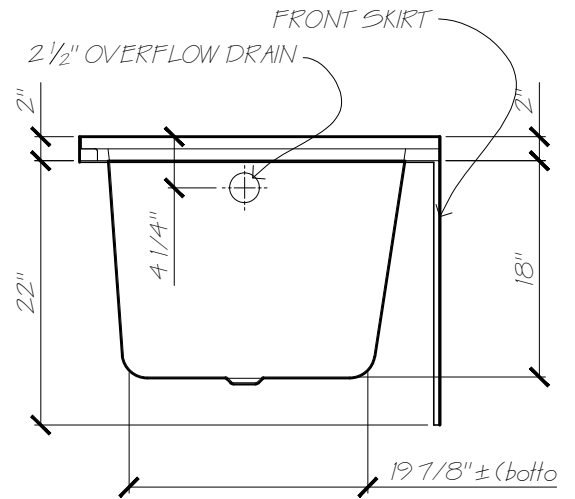
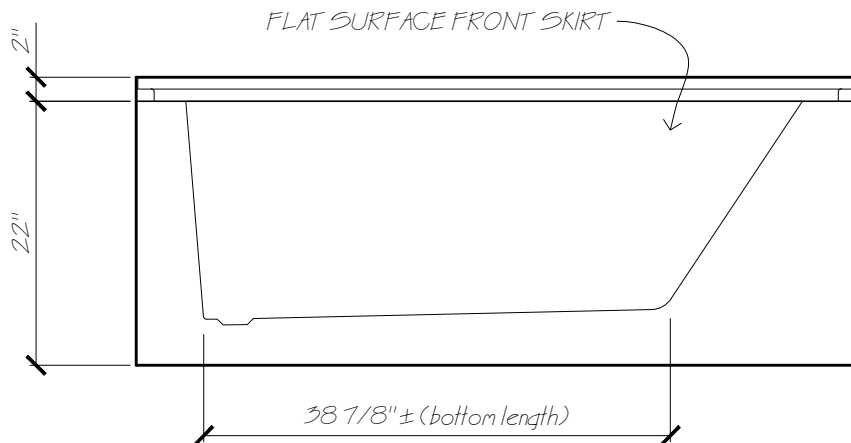


PLAN VIEW



END VIEW



FRONT VIEW



Name: SAANICH30L/H FLAT

Date: 03-30-19

Scale: 3/4" = 1'

File: Saanich30LH FLAT Drawn: AAJimenez



Phone: 604-854-5757

Fax: 604-852-1850