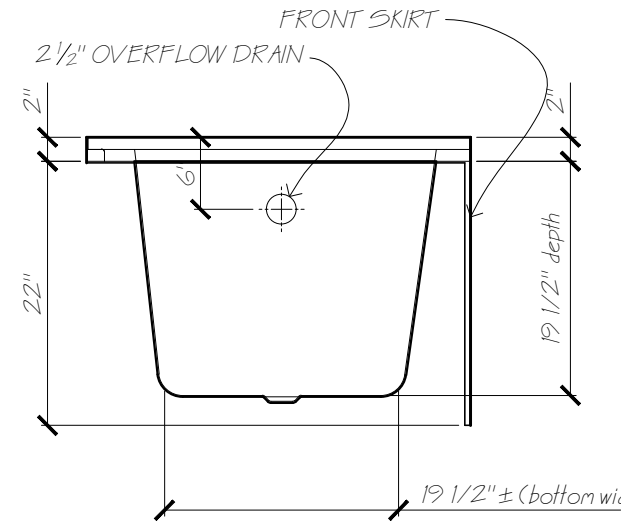
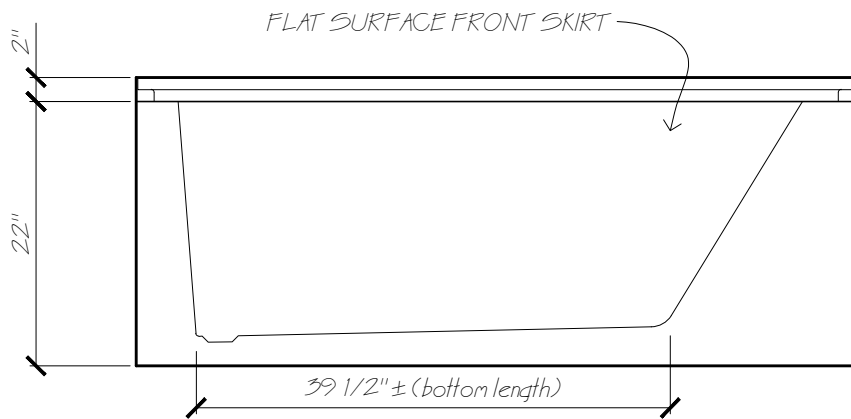


PLAN VIEW



END VIEW



FRONT VIEW



Name: SAANICH-32L/H FLAT

Date: 07-13-20

Scale: 3/4" = 1'

File: Saanich-32LH FLAT Drawn: AAJimenez



Phone: 604-854-5757

Fax: 604-852-1850